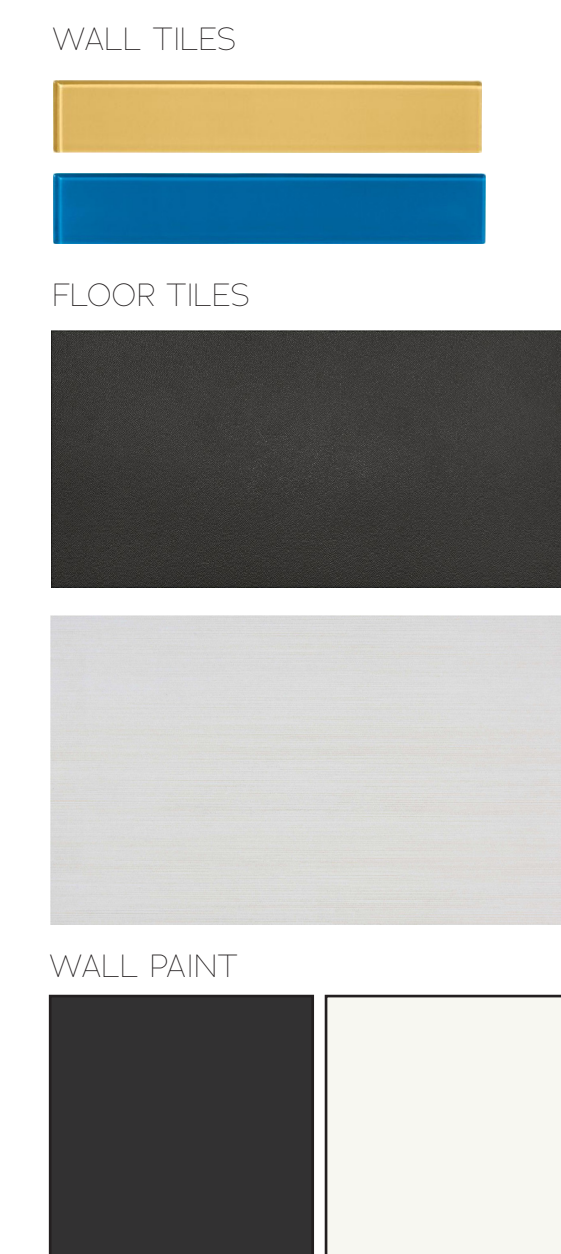
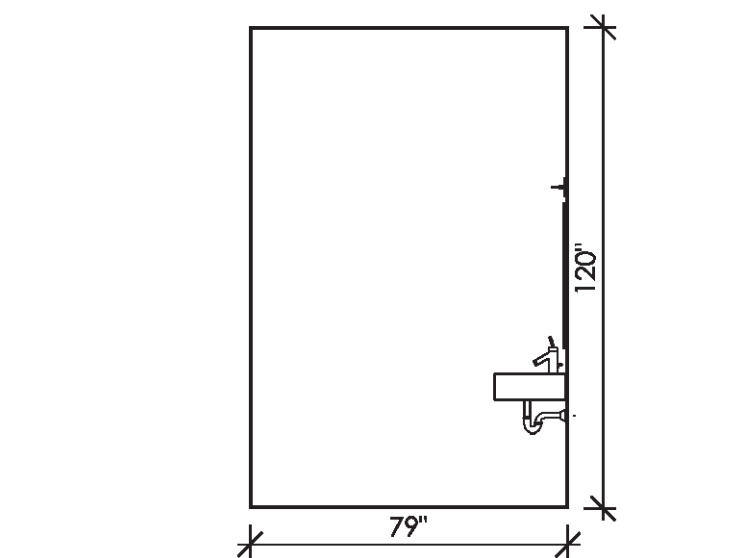
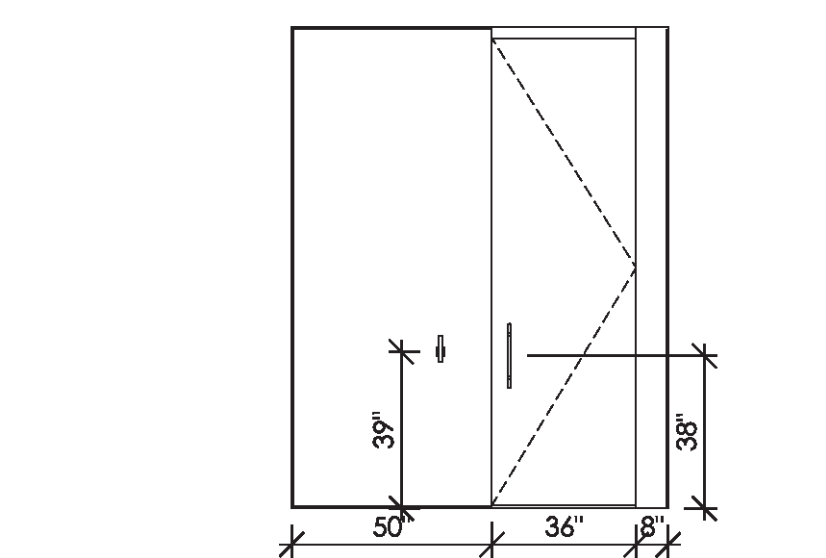
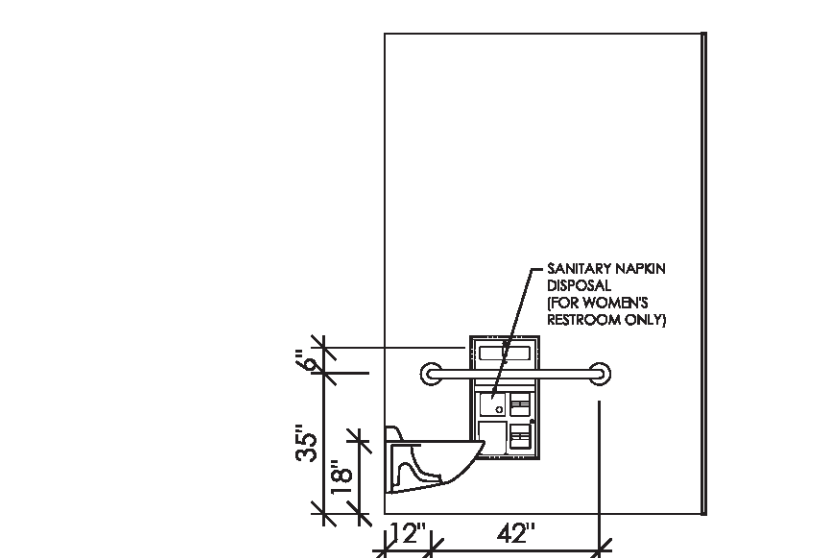
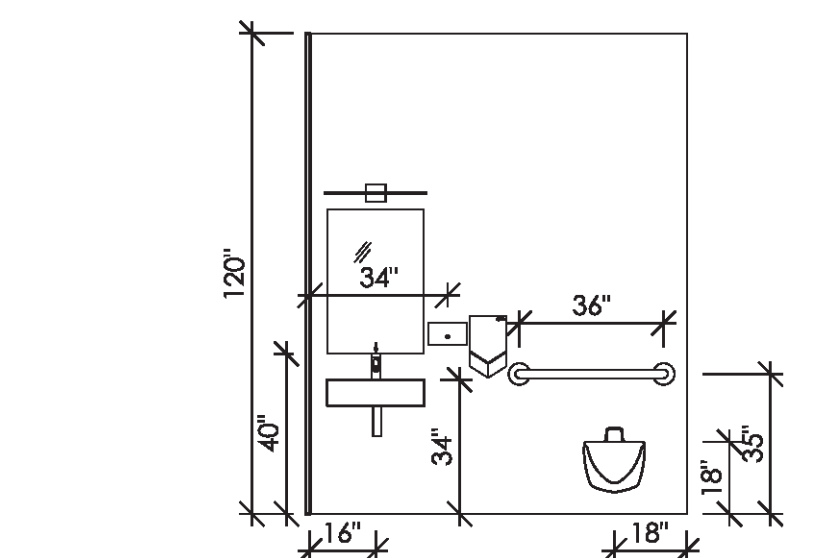
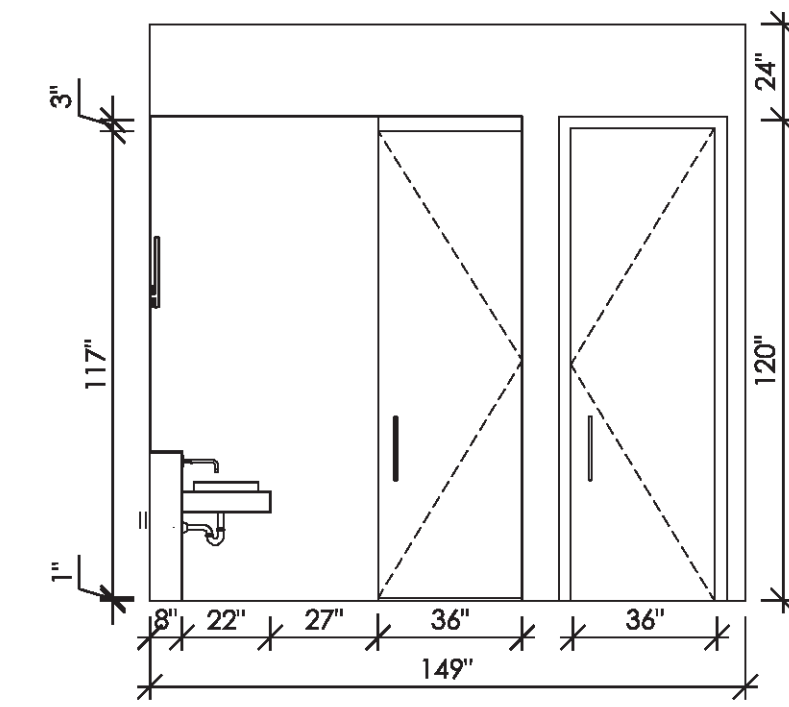
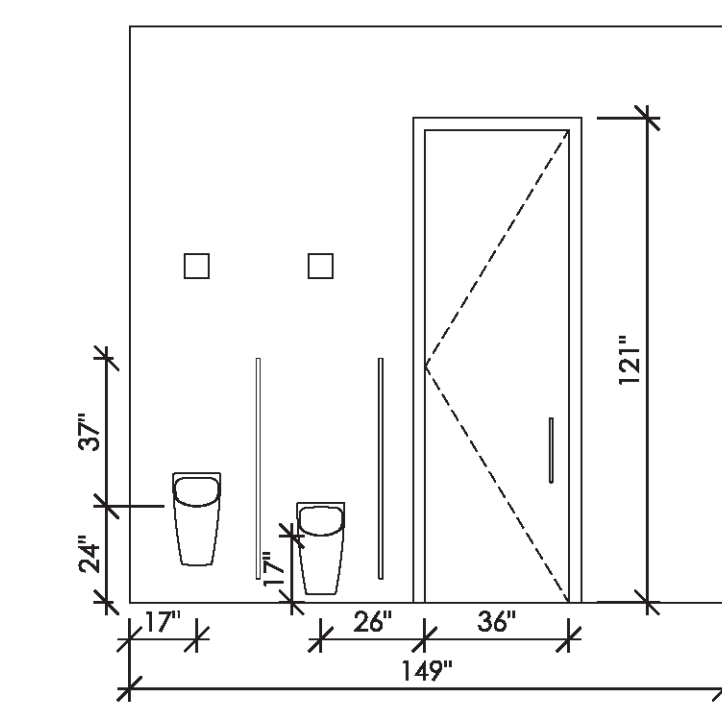
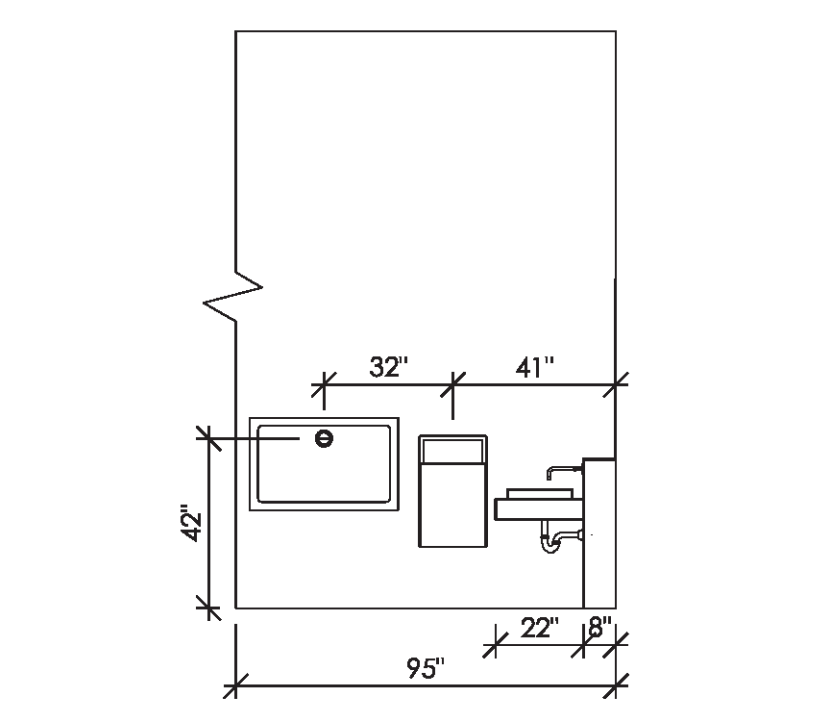
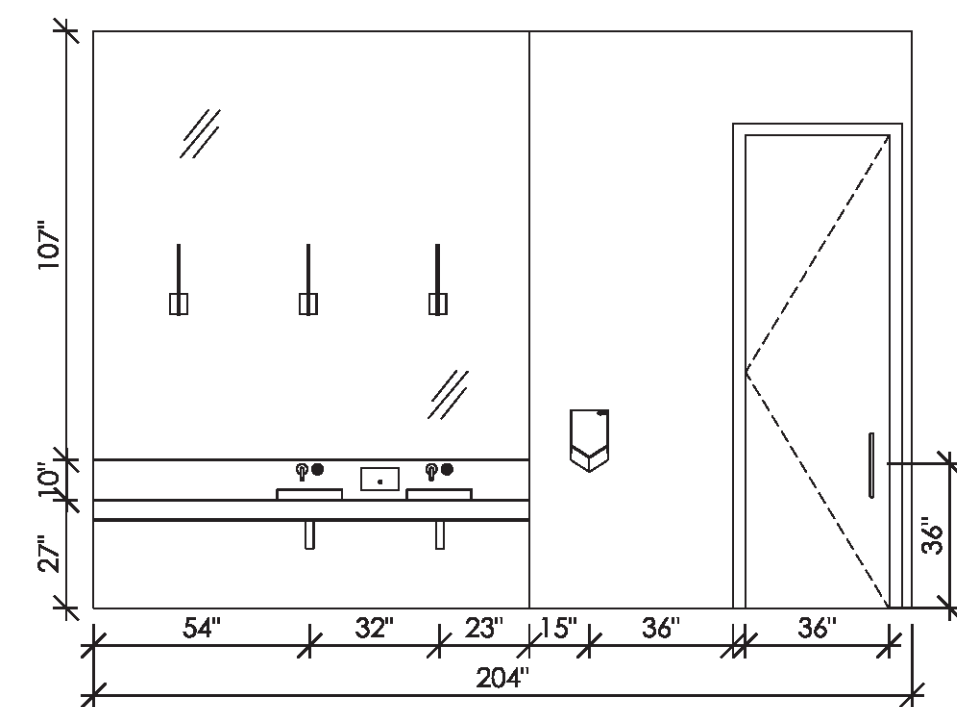
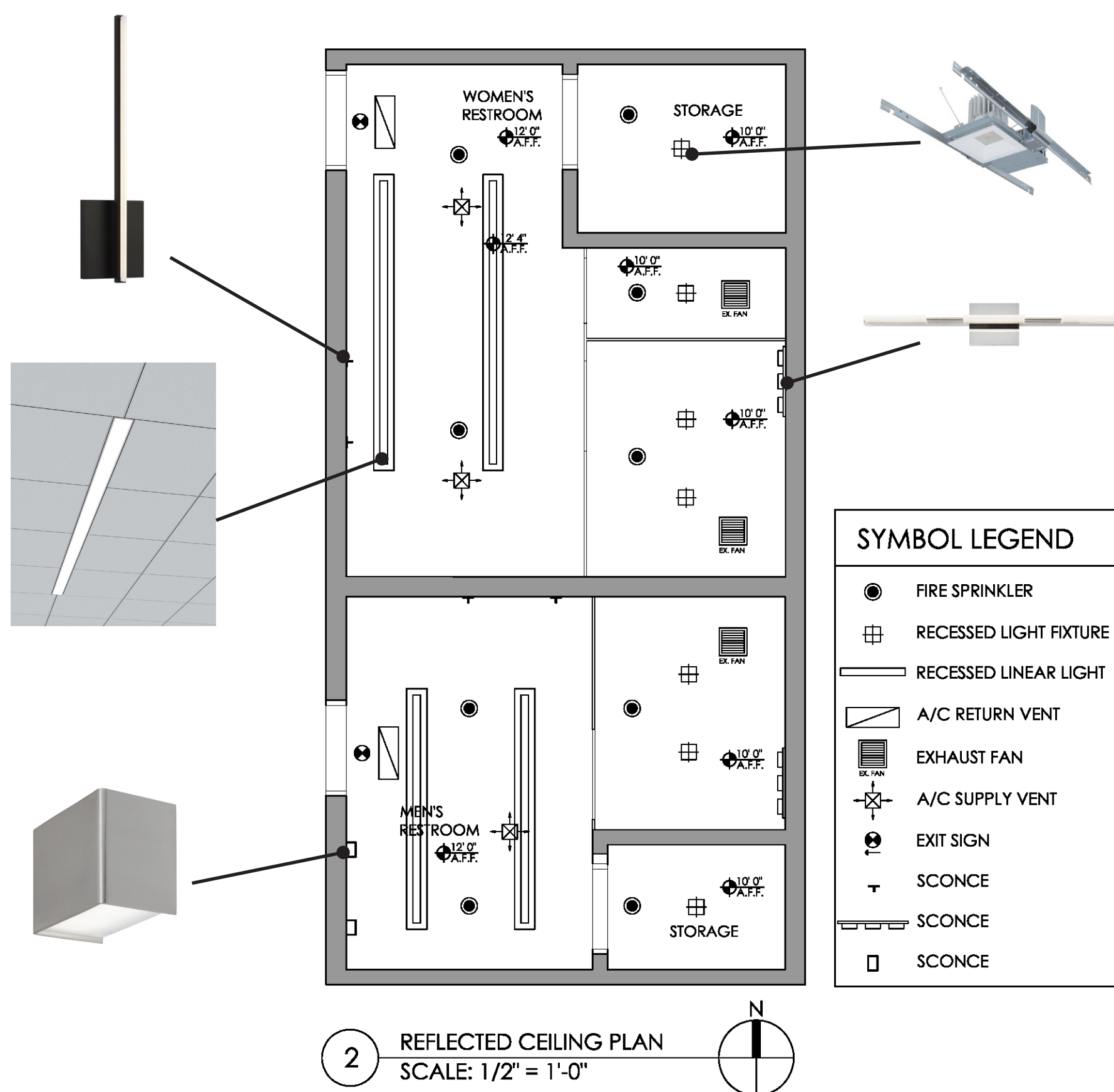
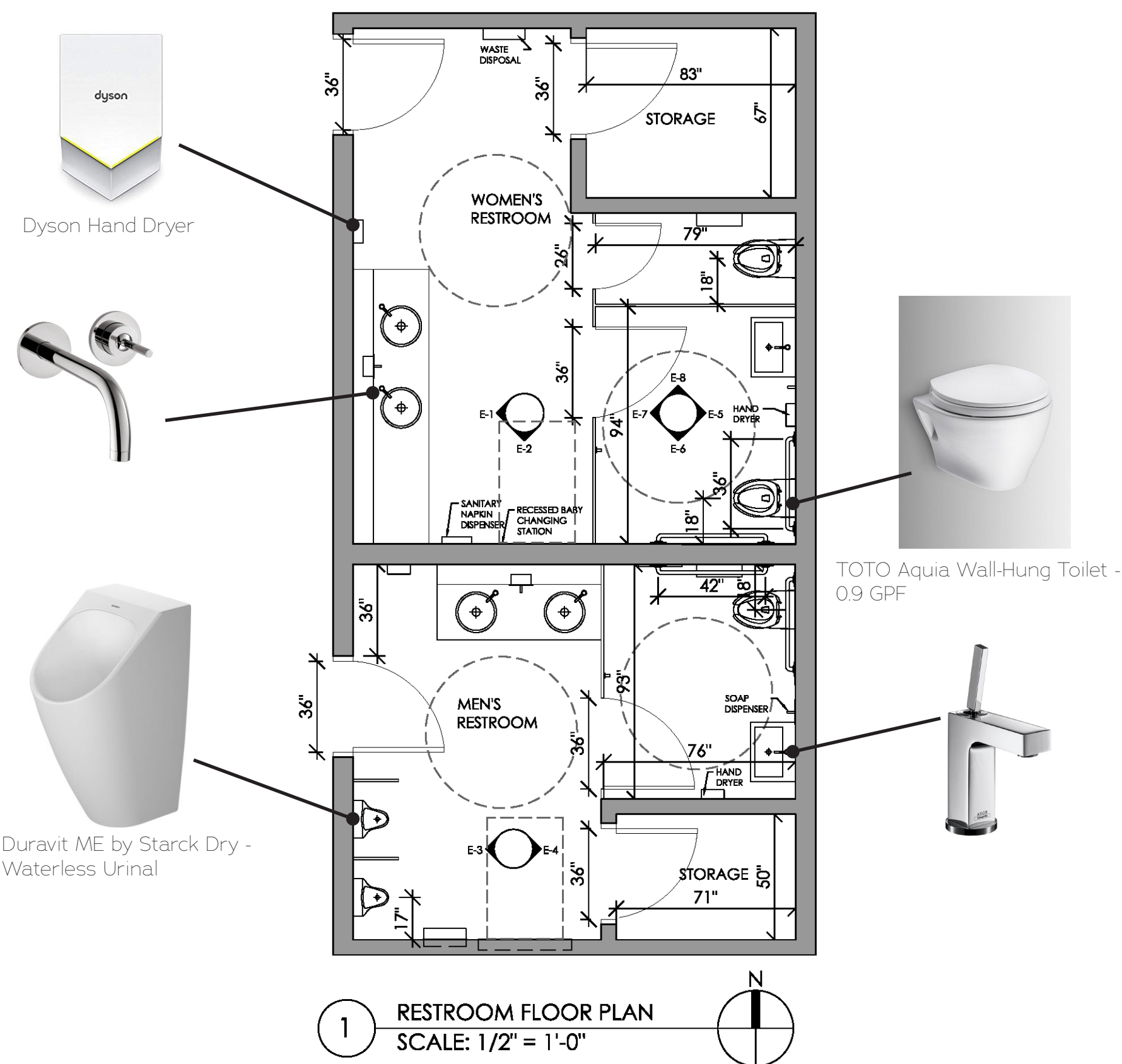


# CALVIN KLEIN

With striking linear elements and subtle sharp details, Calvin Klein characterizes its signature style, whether in clothing, accessories or home decor. The brand's striking sharpness is introduced in this restroom space located in the Miami headquarters, through elements and details that convey heavy contrast with clean lines.



**WATER EFFICIENCY CALCULATIONS**

TRADITIONAL FEMALE RESTROOM					
FIXTURE TYPE	QTY.	DAILY USE	FLOW RATE	DURATION	GROSS H2O USAGE (gal)
Toilets	4	120	1.6 gpf	1. flush	192. gal
Faucets	4	120	2.2 gpm	0.25	66. gal
					DAILY 415.5 gal
					YEARLY WORKING DAYS 260.00
					SUB-TOTAL 108,030.00

TRADITIONAL MALE RESTROOM					
FIXTURE TYPE	QTY.	DAILY USE	FLOW RATE	DURATION	GROSS H2O USAGE (gal)
Toilets	2	30	1.6 gpf	1. flush	48. gal
Urinals	3	60	1. gpf	1. flush	60. gal
Faucets	4	90	2.2 gpm	0.25	49.5 gal
					DAILY 157.5 gal
					YEARLY WORKING DAYS 260.00
					SUB-TOTAL 40,950.00

PROPOSED FEMALE RESTROOM							
FIXTURE TYPE	QTY.	DAILY USE	FLOW RATE	DURATION	GROSS H2O USAGE (gal)	BRAND	OPERATION TECHNOLOGY
Toilets	2	120	0.9 gpf	1. flush	108. gal	TOTO AQUIA	DUAL-MAX FLUSHING SYSTEM
Faucets	3	120	1.2 gpm	0.25	36. gal	HANSGRÖHE AXOR UNO	ECO RIGHT AERATED SPRAY
					DAILY 144.0 gal		
					YEARLY WORKING DAYS 260.00		
					SUB-TOTAL 37,440.00		

PROPOSED MALE RESTROOM							
FIXTURE TYPE	QTY.	DAILY USE	FLOW RATE	DURATION	GROSS H2O USAGE (gal)	BRAND	OPERATION TECHNOLOGY
Toilets	1	30	0.9	1	27.0 gal	TOTO AQUIA	DUAL-MAX FLUSHING SYSTEM
Urinals	2	60	0	1	0.0 gal	DURAVIT ME-STARCK DRY	WATERLESS
Faucets	3	90	1.2	0.25	27.0 gal	HANSGRÖHE AXOR UNO	ECO RIGHT AERATED SPRAY
					DAILY 54.0 gal		
					YEARLY WORKING DAYS 260.00		
					SUB-TOTAL 14,040.00		
					TOTAL SAVINGS IN GALLONS PER DAY 217.5		
					TOTAL SAVINGS IN GALLONS PER WORKING YEAR 56,550.00		
					PERCENTAGE SAVINGS PER WORKING YEAR 52.35%		

